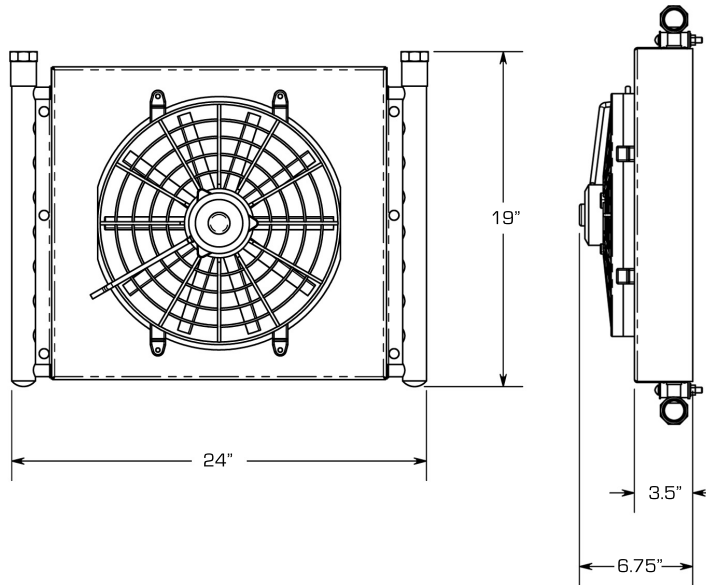
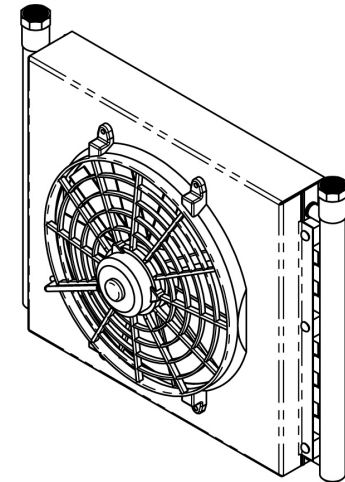


DIMENSIONS



APPEARANCE



SPECIFICATIONS

Flow Range (GPM):5 - 30

Heat Rejection Range (BTU/Hr):
22,700 - 33,000

Fitting Size:.....1" FPT

Material

Copper Tube:.....CDA122

Inner Tube:Al-3003

Inner Fin:Al - 1100

Outer Fin:Al - 1100

Fitting:.....Copper

Cooler Weight (lbs.)

Total Weight :.....22 lbs.

PERFORMANCE

