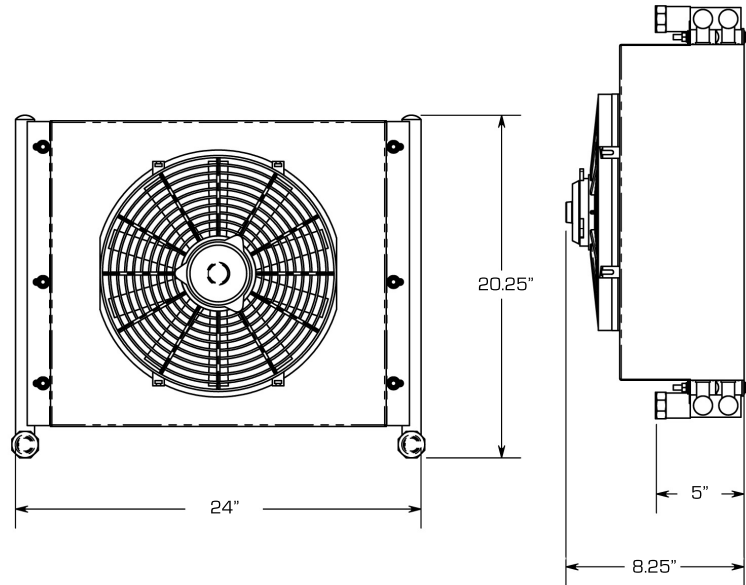
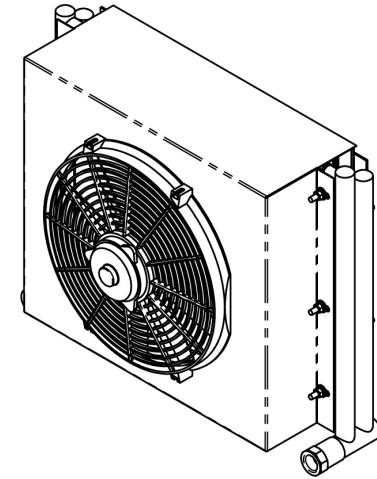


DB-01322DC

DIMENSIONS



APPEARANCE



SPECIFICATIONS

Flow Range (GPM):10 - 30
Heat Rejection Range (BTU/Hr):
41,900 - 52,900
Fitting Size:.....1" FPT

Material

Copper Tube:.....CDA122
Inner Tube:Al-3003
Inner Fin:Al - 1100
Outer Fin:Al - 1100
Fitting:.....Copper

Cooler Weight (lbs.)

Total Weight :.....30 lbs.

PERFORMANCE

