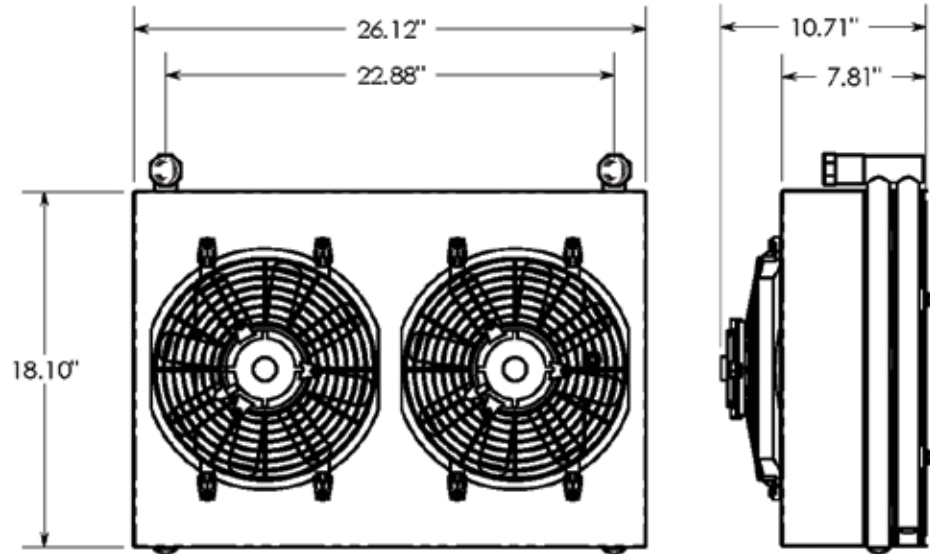
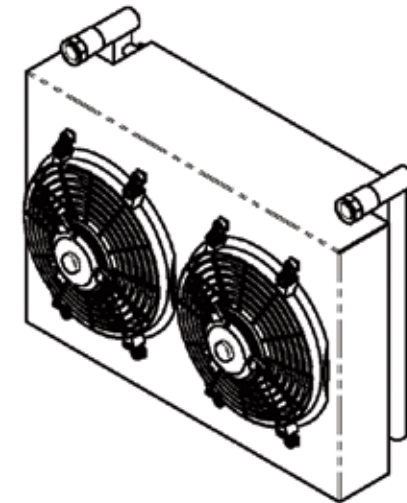


DIMENSIONS



APPEARANCE



SPECIFICATIONS

Flow Range (GPM):10 - 30
 Heat Rejection Range (BTU/Hr):
 57,300 - 72,300
 Fitting Size:.....1" FPT

Material

Copper Tube:.....CDA122
 Inner Tube:Al-3003
 Inner Fin:Al - 1100
 Outer Fin:.....Al - 1100
 Fitting:.....Copper

Cooler Weight (lbs.)

Total Weight :51 lbs.

PERFORMANCE

