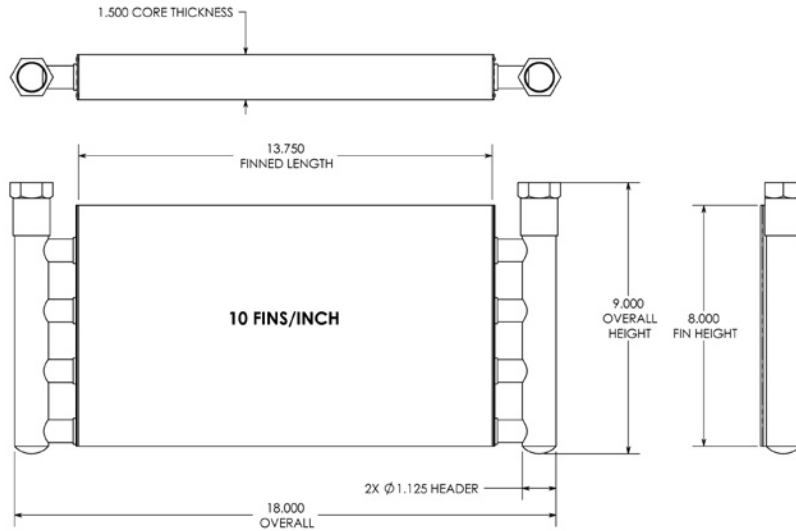
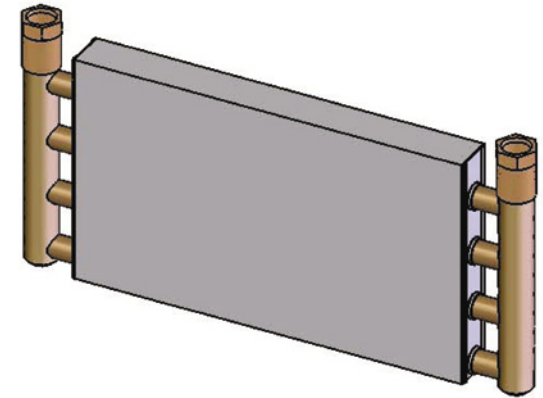


## DIMENSIONS



## APPEARANCE



## SPECIFICATIONS

Flow Range (GPM): .....2 - 16  
 Heat Rejection Range (BTU/Hr):  
 10,000 - 14,200  
 Fitting Size:.....3/4" FPT

### Material

Copper Tube:.....CDA122  
 Inner Tube: .....Al-3003  
 Inner Fin: .....Al - 1100  
 Outer Fin: .....Al - 1100  
 Fitting:.....Copper

### Cooler Weight (lbs.)

Total Weight :.....4 lbs.

## PERFORMANCE

