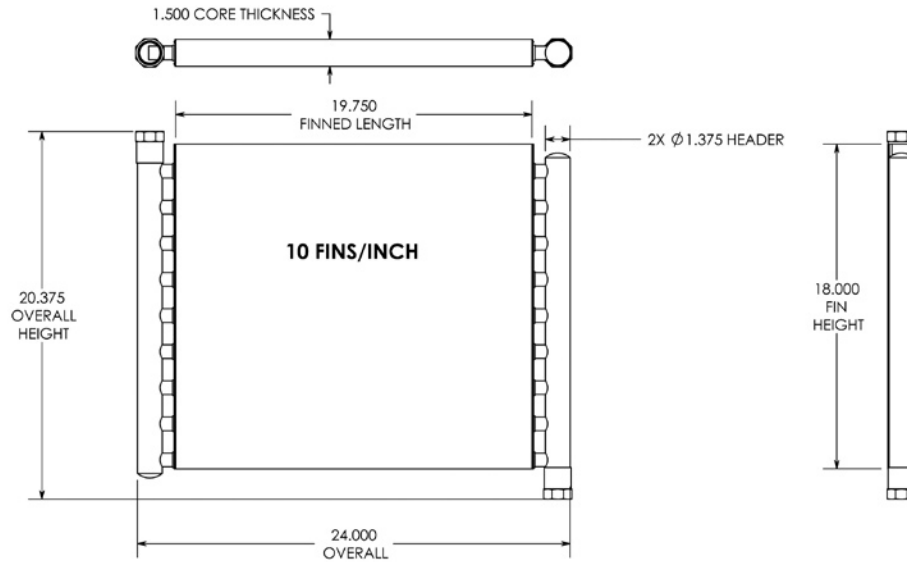
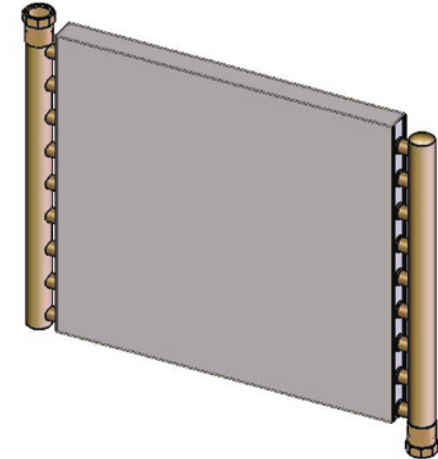


## DIMENSIONS



## APPEARANCE



## SPECIFICATIONS

Flow Range (GPM): .....5 - 20  
 Heat Rejection Range (BTU/Hr):  
 31,500 - 42,500  
 Fitting Size:.....3/4" FPT

### Material

Copper Tube:.....CDA122  
 Inner Tube: .....Al-3003  
 Inner Fin: .....Al - 1100  
 Outer Fin: .....Al - 1100  
 Fitting:.....Copper

### Cooler Weight (lbs.)

Total Weight :.....11.5 lbs.

## PERFORMANCE

