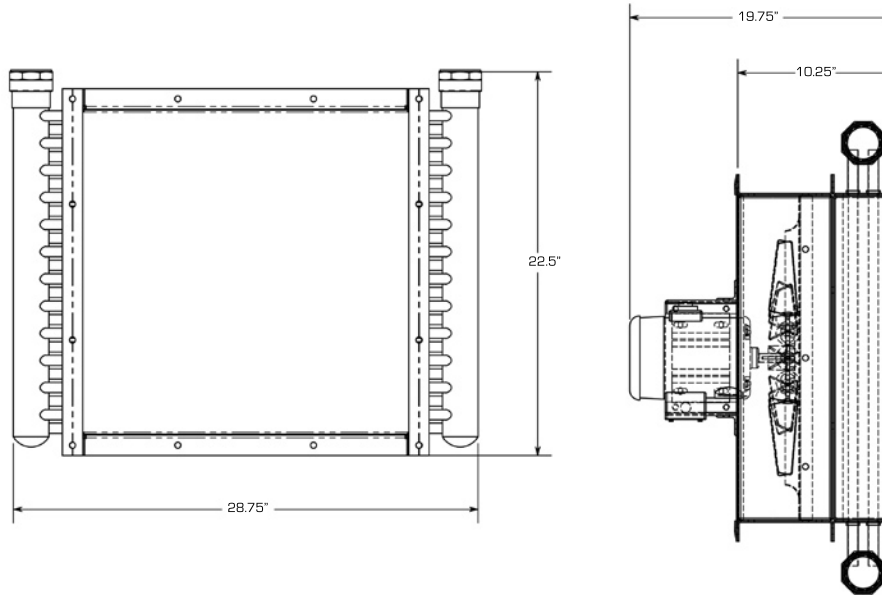
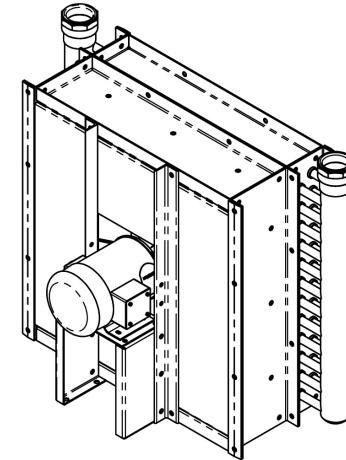


# DB-210

## DIMENSIONS



## APPEARANCE



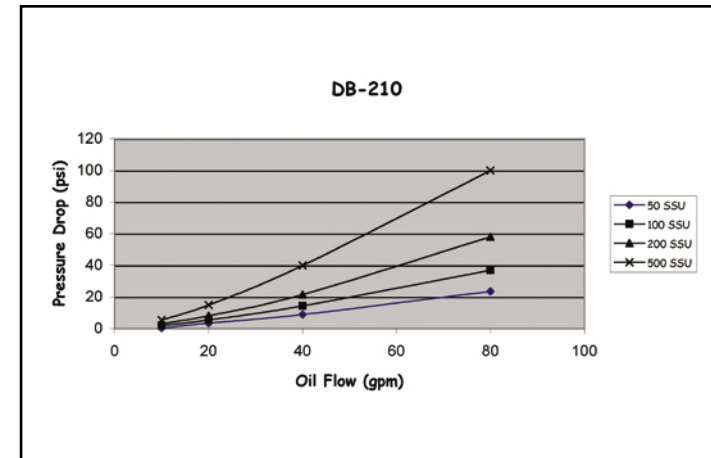
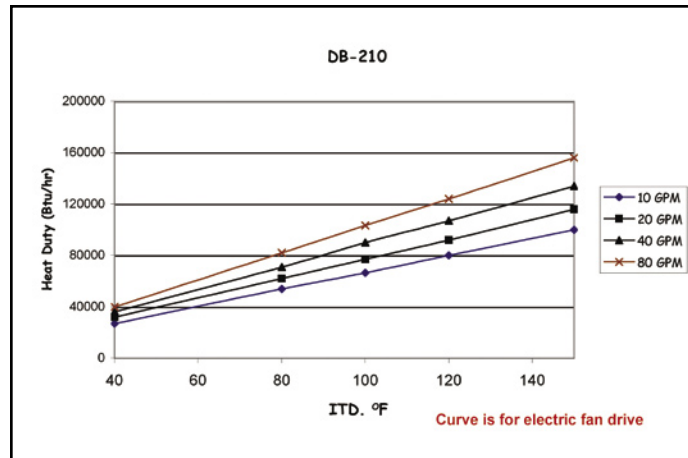
## SPECIFICATIONS

Flow Range (GPM): .....10 - 80  
 Heat Rejection Range (BTU/Hr):  
 66,500 - 103,400  
 Fitting Size:.....2" FPT

**Material**  
 Copper Tube:.....CDA122  
 Inner Tube: .....Al-3003  
 Inner Fin: .....Al - 1100  
 Outer Fin: .....Al - 1100  
 Fitting:.....Copper

**Cooler Weight (lbs.)**  
 Total Weight :.....102  
 (electrical) lbs.

## PERFORMANCE



PART NO. (COMPLETE)	ELECTRIC MOTOR SPEC. VOLTS/PHASE/HERTZ	HYDRAULIC MOTOR SPEC. GPM@ PSI	ELECTRIC MOTOR REQD. FRAME/HP/RPM
DB-210-B	w / o motor/ fan, air plenum	N/A	56 / 3/4 / 3450
DB-210-0	w / o motor	N/A	56 / 3/4 / 3450
DB-210-1	115-230 / 1 / 60	N/A	56 / 3/4 / 3450
DB-210-2	230-460 / 3 / 60	N/A	56 / 3/4 / 3450
DB-210-3	N/A	2.5 @ 750	
DB-210-4	N/A	3.5 @ 500	
DB-210-5	N/A	4.5 @ 500	