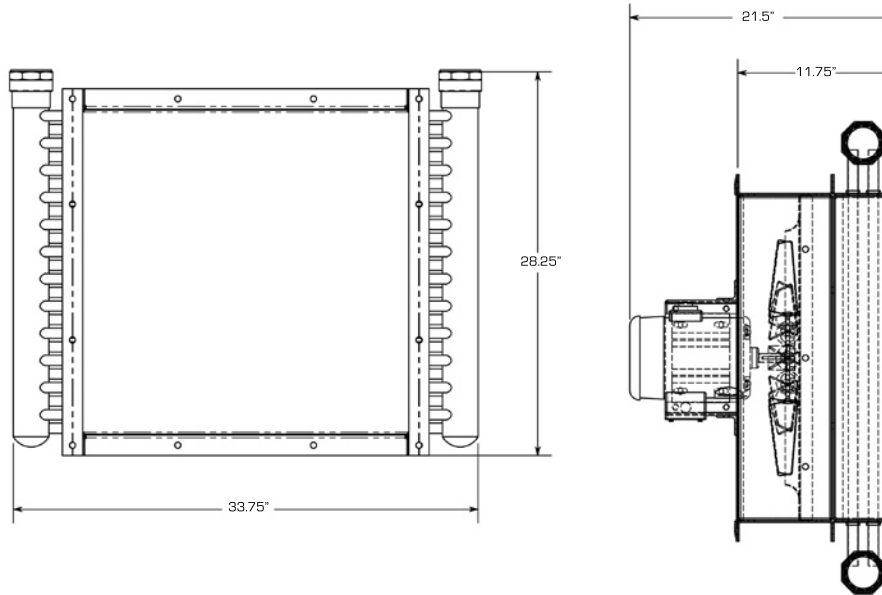
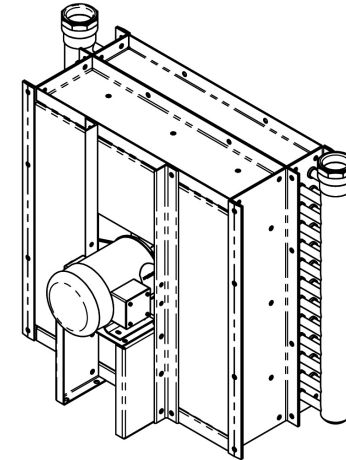


DIMENSIONS



APPEARANCE



SPECIFICATIONS

Flow Range (GPM):10 - 90
 Heat Rejection Range (BTU/Hr):
 87,300 - 146,200
 Fitting Size:.....2-1/2" FPT

Material

Copper Tube:.....CDA122
 Inner Tube:.....Al-3003
 Inner Fin:Al - 1100
 Outer Fin:Al - 1100
 Fitting:.....Copper

Cooler Weight (lbs.)

Total Weight :.....126
 (electrical) lbs.

PERFORMANCE

PART NO. (COMPLETE)	ELECTRIC MOTOR SPEC. VOLTS/PHASE/HERTZ	HYDRAULIC MOTOR SPEC. GPM @ PSI	ELECTRIC MOTOR REQD. FRAME/HP/RPM
DB-212-B	w / o motor/ fan, air plenum	N/A	56 / 3/4 / 1725
DB-212-0	w / o motor	N/A	56 / 3/4 / 1725
DB-212-1	115-230 / 1 / 60	N/A	56 / 3/4 / 1725
DB-212-2	230-460 / 3 / 60	N/A	56 / 3/4 / 1725
DB-212-3	N/A	1.5 @ 1500	
DB-212-4	N/A	2.0 @ 1000	
DB-212-5	N/A	2.5 @ 700	
DB-212-6	N/A	3.0 @ 600	
DB-212-7	N/A	3.5 @ 500	

