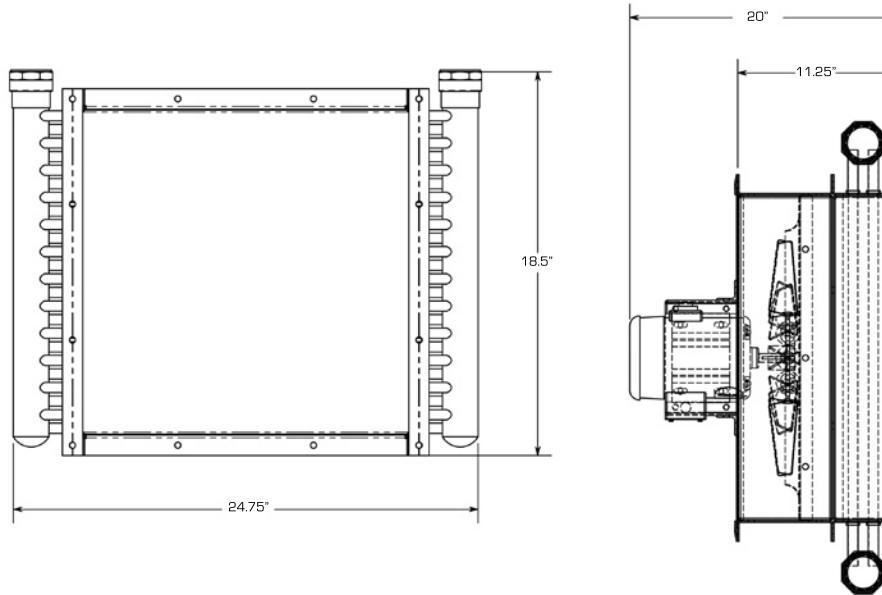
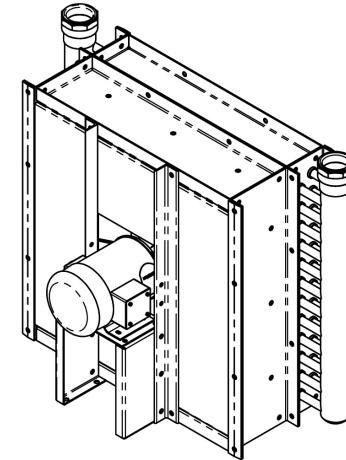


DIMENSIONS



APPEARANCE



SPECIFICATIONS

Flow Range (GPM):10 - 90
 Heat Rejection Range (BTU/Hr):
 63,000 - 94,500
 Fitting Size:.....2" FPT

Material

Copper Tube:.....CDA122
 Inner Tube:.....Al-3003
 Inner Fin:Al - 1100
 Outer Fin:Al - 1100
 Fitting:.....Copper

Cooler Weight (lbs.)

Total Weight :.....93
 (electrical) lbs.

PERFORMANCE

PART NO. (COMPLETE)	ELECTRIC MOTOR SPEC. VOLTS/PHASE/HERTZ	HYDRAULIC MOTOR SPEC. GPM@ PSI	ELECTRIC MOTOR REQ. FRAME/HP/RPM
DB-308-B	w / o motor/ fan, air plenum	N/A	56 / 1/2 / 3450
DB-308-0	w / o motor	N/A	56 / 1/2 / 3450
DB-308-1	115-230 / 1 / 60	N/A	56 / 1/2 / 3450
DB-308-2	230-460 / 3 / 60	N/A	56 / 1/2 / 3450
DB-308-3	N/A	2.5 @ 500	
DB-308-4	N/A	3.5 @ 470	

