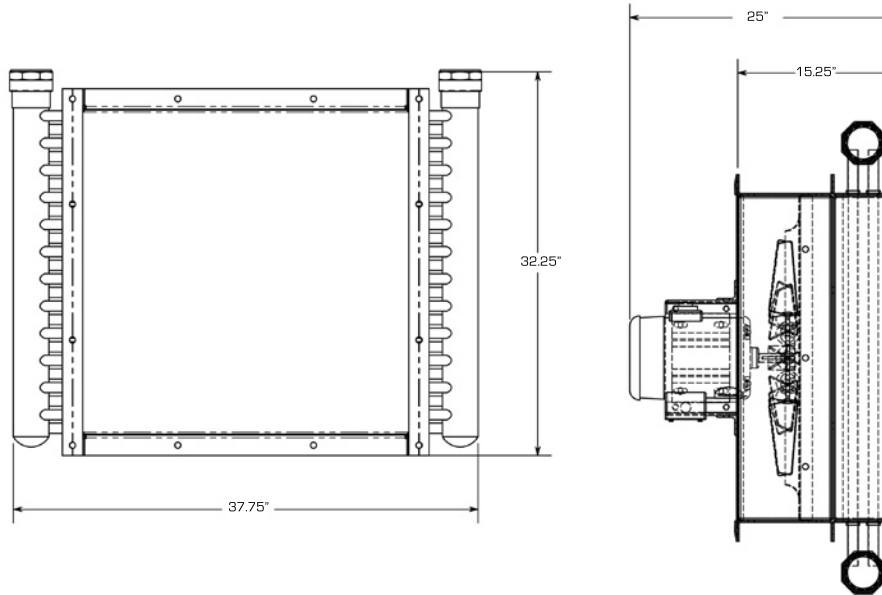
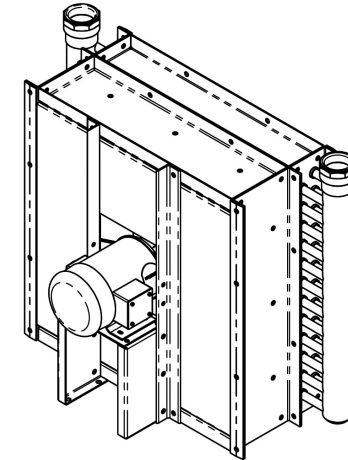


## DIMENSIONS



## APPEARANCE



## SPECIFICATIONS

Flow Range (GPM): .....20 - 140  
 Heat Rejection Range (BTU/Hr):  
 168,900 - 276,800  
 Fitting Size:.....2-1/2" FPT  
**Material**  
 Copper Tube:.....CDA122  
 Inner Tube:.....Al-3003  
 Inner Fin: .....Al - 1100  
 Outer Fin: .....Al - 1100  
 Fitting:.....Copper  
**Cooler Weight (lbs.)**  
 Total Weight :.....200  
 (electrical) lbs.

## PERFORMANCE

PART NO. (COMPLETE)	ELECTRIC MOTOR SPEC. VOLTS/PHASE/HERTZ	HYDRAULIC MOTOR SPEC. GPM@ PSI	ELECTRIC MOTOR REQD. FRAME/HP/RPM
DB-314-B	w / o motor/ fan, air plenum	N/A	145T / 1.5 / 1725
DB-314-0	w / o motor	N/A	145T / 1.5 / 1725
DB-314-1	115-230 / 1 / 60	N/A	145T / 1.5 / 1725
DB-314-2	230-460 / 3 / 60	N/A	145T / 1.5 / 1725
DB-314-3	N/A	2.0 @ 1850	
DB-314-4	N/A	2.5 @ 1450	
DB-314-5	N/A	3.5 @ 1150	
DB-314-6	N/A	4.0 @ 950	
DB-314-7	N/A	5.0 @ 750	

