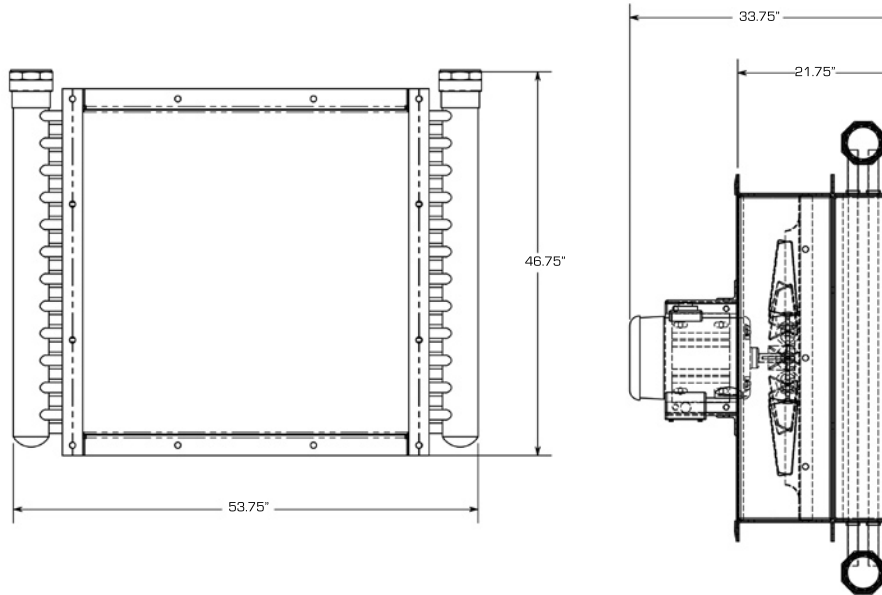
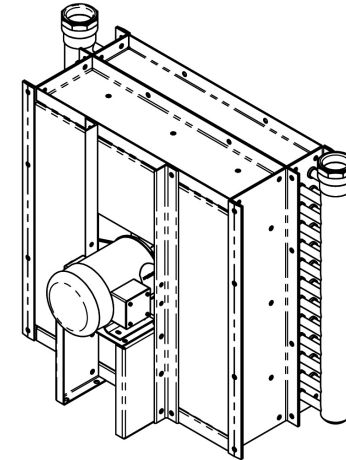


DIMENSIONS



APPEARANCE



SPECIFICATIONS

Flow Range (GPM):40 - 250
 Heat Rejection Range (BTU/Hr):
 438,800 - 765,300
 Fitting Size:.....3-1/2 ASA*
 (ASA round flange, 150 pound)

Material

Copper Tube:.....CDA122
 Inner Tube:Al-3003
 Inner Fin:Al - 1100
 Outer Fin:Al - 1100
 Fitting:.....Copper

Cooler Weight (lbs.)

Total Weight · 632

PERFORMANCE

PART NO. (COMPLETE)	ELECTRIC MOTOR SPEC. VOLTS/PHASE/HERTZ	HYDRAULIC MOTOR SPEC. GPM@ PSI	ELECTRIC MOTOR REQD. FRAME/HP/RPM
DB-421-B	w / o motor/ fan, air plenum	N/A	215T / 5 / 1140
DB-421-0	w / o motor	N/A	215T / 5 / 1140
DB-421-1	230-460 / 3 / 60	N/A	215T / 5 / 1140
DB-421-2	N/A	7.0 @ 1700	
DB-421-3	N/A	8.5 @ 1250	
DB-421-4	N/A	11.0 @ 1000	

